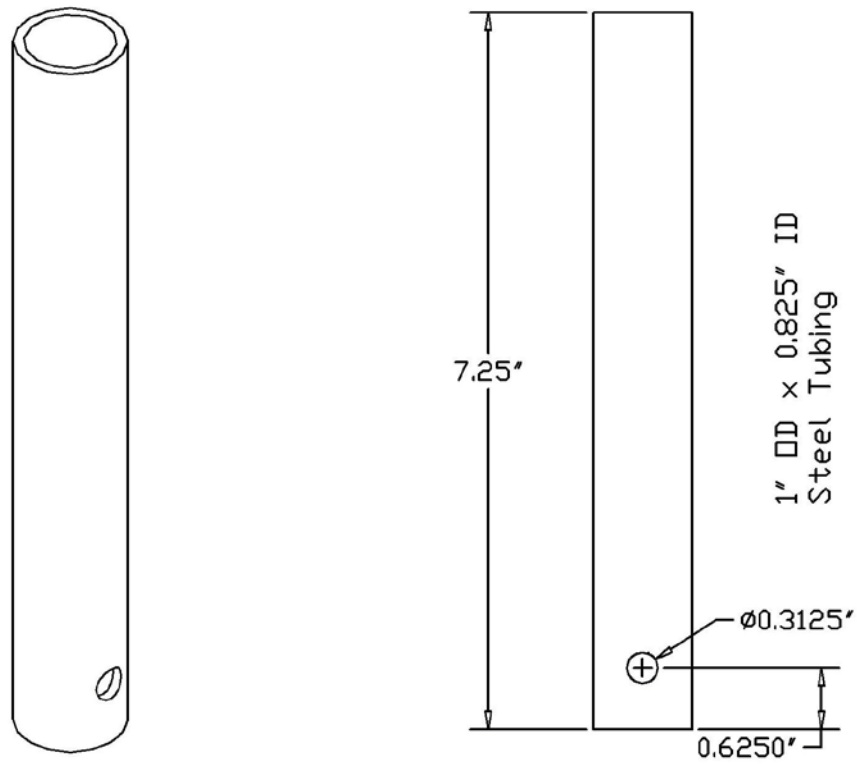


Adapter for Craftsman 3 and 3-5 hp tillers



The Aeroller lawn aerator attachment has 1-inch diameter hole. If you have a Craftsman tiller with 3 or 3-5 hp engine, the tiller shaft may be 0.75-inch in diameter. Use the above adaptor as “bushings” to adapt the Aeroller to your tiller.