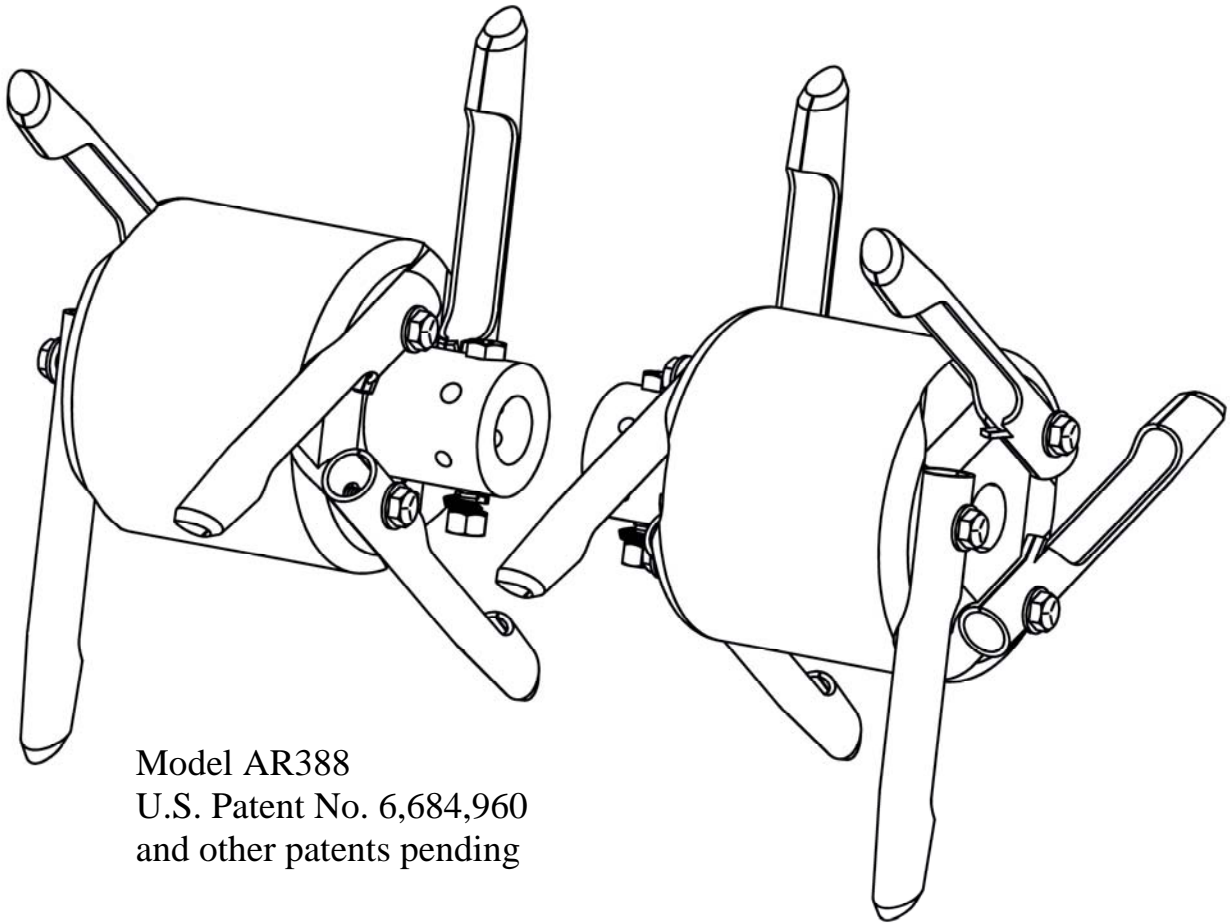




Converts your garden tiller into a lawn aerator

Operator's Manual



Model AR388
U.S. Patent No. 6,684,960
and other patents pending

IMPORTANT: READ THIS MANUAL AND YOUR TILLER'S MANUAL CAREFULLY BEFORE USING THE AEROLLER™ LAWN AERATOR ATTACHMENT

Vibrant Yard Company, LLC
216 S. Jamestown Circle, Andover, KS 67002, USA
Email: customer-support@lawn-aerator-attachment.com
<http://lawn-aerator-attachment.com>

1 INTRODUCTION

Congratulations on your purchase of the Aeroller™ lawn aerator attachment. We are confident that you will be amazed by the capability of this attachment. In addition to lawn aeration, the Aeroller will convert your tiller into a sod buster by using the rollers as weights. For your safety, please read and understand all safety and operating instructions in this manual before attempting to setup and use your Aeroller™. You must also be familiar with your tiller manual and the operation of your tiller before attempting to use the Aeroller™. This manual should be kept in a safe place together with your tiller manual for future reference.



Failure to follow safety instructions may result in serious damage to equipment or personal injury.

2 COMPATIBILITY WITH YOUR GARDEN TILLER

The Aeroller™ attachment is designed to fit many garden tillers. However, it cannot fit every tiller on the market today. You are responsible for making sure that the Aeroller™ is compatible with your tiller. Below is some information that may help you decide if your tiller is compatible with the Aeroller™ attachment.

Requirements:

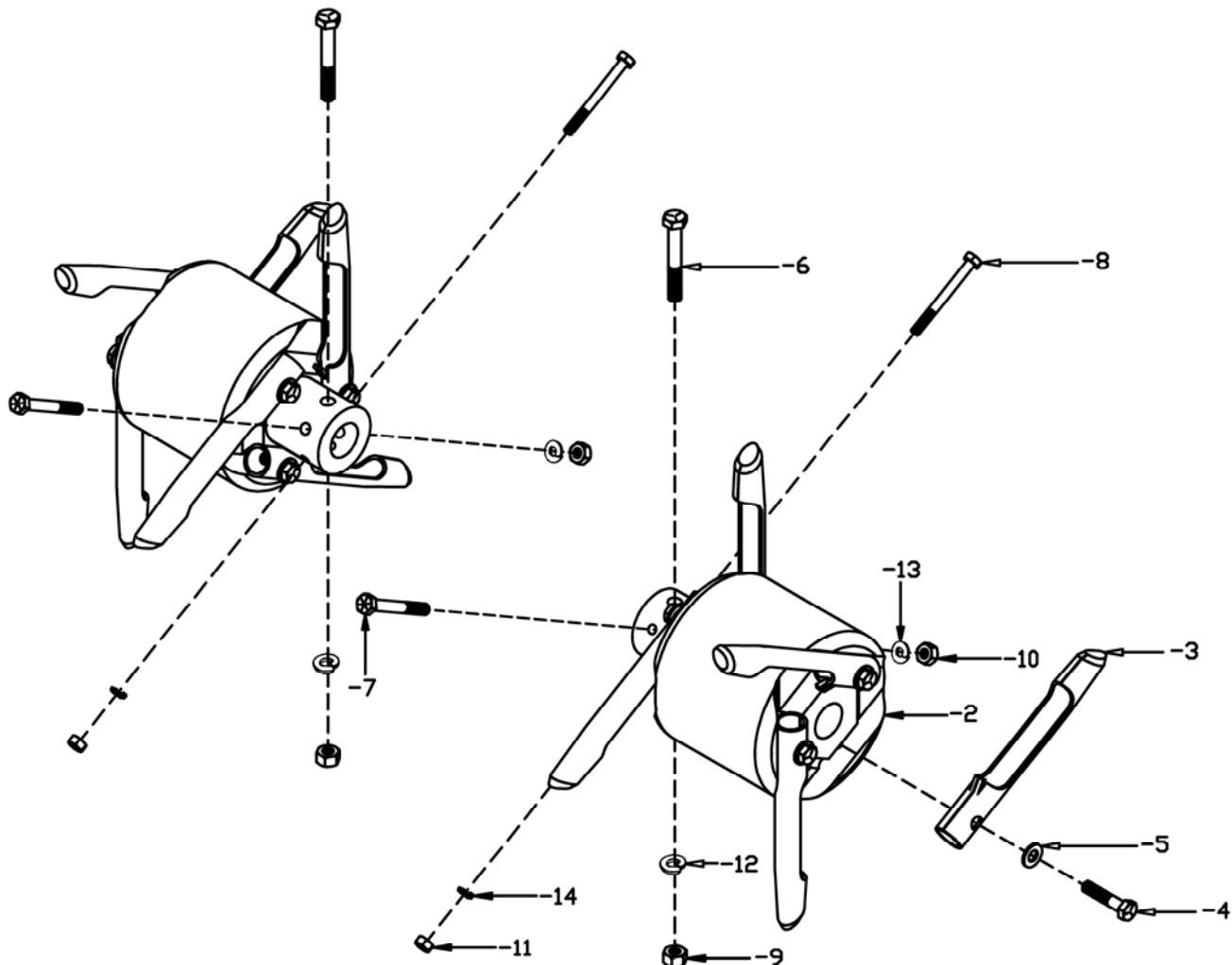
- A) The diameter of your tiller shaft must be 1 inch. Other shaft sizes will require special adapters, available from Vibrant Yard Company, LLC.
- B) The clevis pin or shear bolt that secures the tiller tines onto the shaft must be 3/8 inch (0.375 inch), 5/16 inch (0.3125 inch), or 1/4 inch (0.25 inch) in diameter.
- C) Upon installation (see section 4), there must not be any component of your tiller that will interfere with the rotational movement of the Aeroller™.
- D) The tiller tine rotation is controllable by a tine control lever (also known as tine engagement handle). The tines should rotate when the lever is engaged and stop when the lever is released. In addition, the tine rotation speed is controlled by engine throttle control.
- E) The tine rotation direction must propel the tiller forward, NOT backward. Tillers with counter-rotating tines are NOT compatible with the Aeroller™.
- F) The wheels on the tiller, if any, should be free-rotating (neutral).

The Aeroller™ is not compatible with your tiller if any of the above requirements is not met. For more information, visit our website <http://lawn-aerator-attachment.com>.



Do not use the Aeroller™ attachment if it is not compatible with your tiller. Return it to the retailer.

3 AEROLLER™ ATTACHMENT COMPONENTS



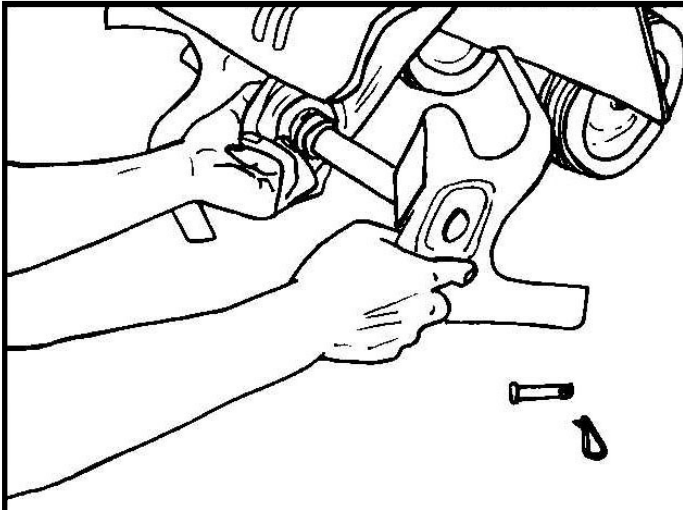
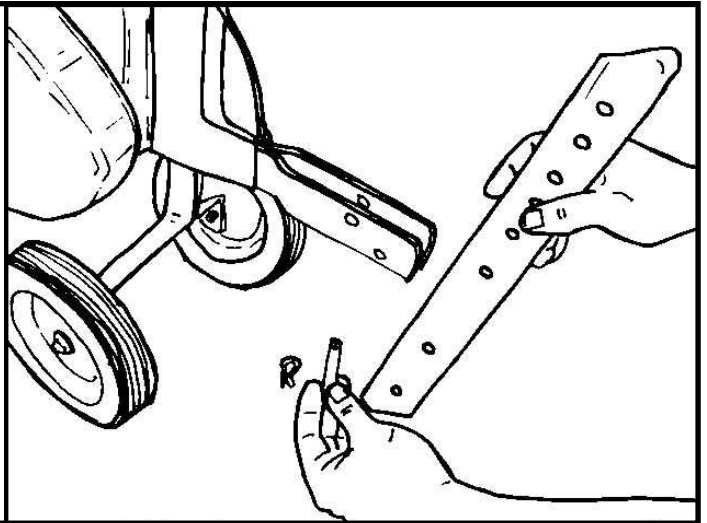
Part No.	Aeroller™ Part Description (two cases are required for a complete set)	Quantity
-2	Roller	2
-3	Aerator Tine	12
-4	Hex Head Bolt, 5/16"-18 Thread, 1.5 inch length, Grade 5 or 8	12
-5	Flat Washer for 5/16" Bolt	12
-6	Hex Head Bolt, 3/8"-16 Thread, 2.5 inch length, Grade 1 or 5	2
-7	Hex Head Bolt, 5/16"-18 Thread, 2.5 inch length, Grade 5 or 8	0*
-8	Hex Head Bolt, 1/4"-20 Thread, 2.5 inch length, Grade 8	0*
-9	Hex Nut, 3/8"-16 Thread, Grade 1 or 5	2
-10	Hex Nut, 5/16"-18 Thread, Grade 5 or 8	0*
-11	Hex Nut, 1/4"-20 Thread, Grade 8	0*
-12	Lock Washer for 3/8" Bolt	2
-13	Lock Washer for 5/16" Bolt	0*
-14	Lock Washer for 1/4" Bolt	0*

* not included; available at your local hardware or home improvement store

4 INSTALLATION (TYPICAL ONLY)

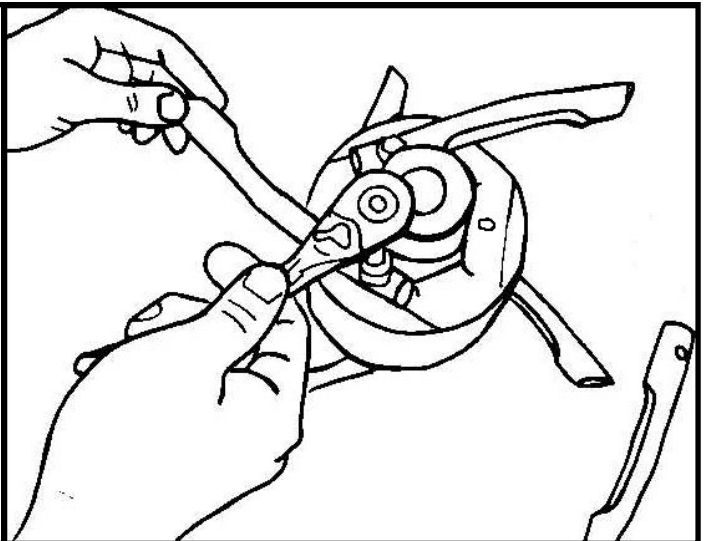
For your safety, disconnect the spark plug wire from the spark plug before performing this operation. Refer to your tiller manual for more information.

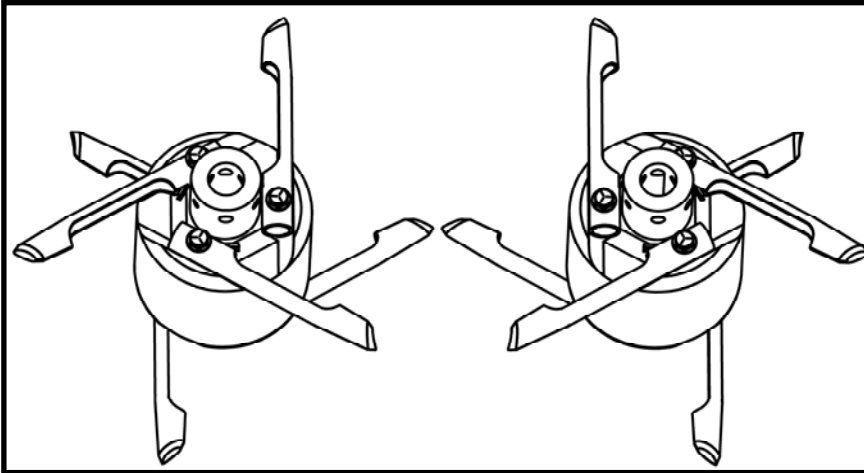
Remove the depth bar. The depth bar is used with tiller tines to control the tilling depth, which is not needed with the Aeroller™.



Remove tiller tines from the tiller.

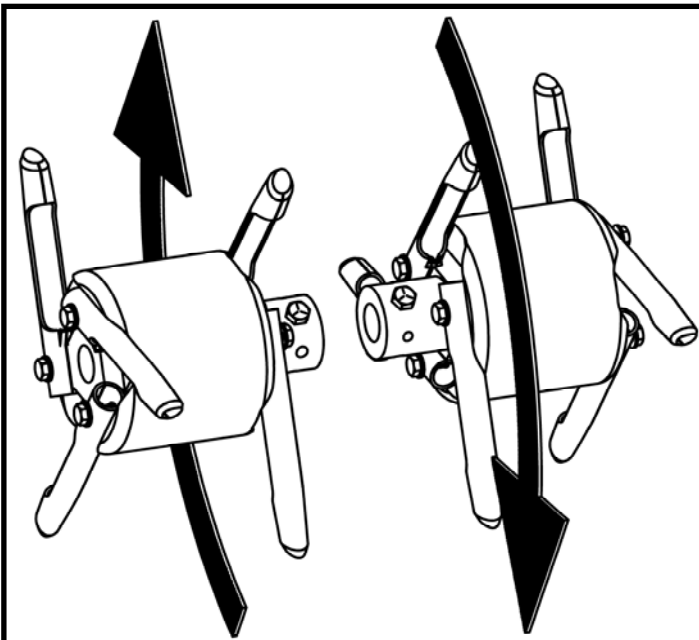
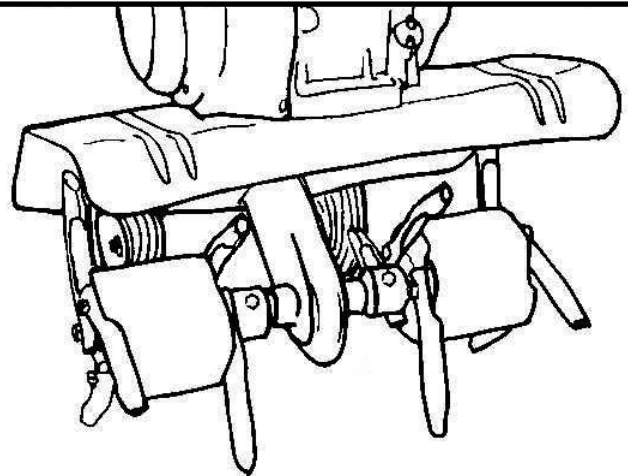
Install the aerator tines (part no. -3) on a roller (part no. -2) using bolts (part no. -4) and washers (-part no. -5). Do not over-tighten the bolts.





Install the aerator tines on the other roller. The two sides should look exactly like this.

Slide the Aeroller™ onto the tiller shaft. The tines should align as shown in the picture. Secure the Aeroller™ onto the shaft using proper diameter 2.5-inch hex head bolts (part no. -6, -7, or -8) and nuts (part no. -9, -10, or -11). You may need a helper to hold the tiller while you perform this operation.



The Aeroller™ is designed to rotate in the direction shown by the arrows only.

Make sure that the Aeroller™ will be able to rotate freely without interference.

Reconnect the spark plug wire.

5 USING THE AEROLLER™



Always wear leather shoes or rubber boots while handling the Aeroller™. The Aeroller™ attachment is very heavy and the tines are very sharp. Serious injury to legs and feet will occur if it is not handled carefully.

Refer to your tiller manual for instructions on starting the engine. Set the engine throttle or tine rotation speed to low. With the Aeroller™ fully lowered onto the sod, slowly depress tine engagement handle. The tiller will begin to self-propel forward. Be prepared to walk with the tiller. As you become familiar with the operation, you may increase the engine throttle speed to suit your personal walking pace. Always make sure that the Aeroller™ is fully lowered onto the ground before depressing the tine engagement handle.



Never lower the tines onto the ground while the tines are engaged and rotating; doing so will tear up (or till) your lawn and exert extremely high bending force on the aerating tines, which may break the tines.

If this is your first time using the Aeroller™, choose an open space where you do not have to maneuver around obstacles.



The use of power reverse (if equipped) is not recommended with the Aeroller™.

If the speed is too fast even at the lowest engine throttle, the Aeroller™ may not be compatible with your tiller.



As with all outdoor power equipment, the Aeroller™ should not be used near solid obstacles such as driveways, walkways, walls, and fences. We recommend at least a foot clearance around any obstacle.



Occasionally, the bolts and nuts may become loose. The tightness of the bolts and nuts must be checked after the first 20 minutes of operation and then every 3 hours of operation thereafter. Do not over-tighten the bolts and nuts. Make sure that the engine is turned off and the spark plug wire is disconnected before attempting to work near the tine area. Refer to your tiller manual for more safety information.

The Aeroller™ tines will damage your underground sprinkler heads. If you have underground sprinkler system in your yard, you will need to flag the sprinkler heads so that you can avoid hitting them during lawn aeration. Your local hardware stores usually carry the stake flags. The underground pipes, hoses, and wires are usually buried much deeper than 3 inches, so the Aeroller will not damage them.

For up to 2.75 inch deep holes, aerate your lawn a day after one inch (or more) of rain or irrigation. Avoid aeration when soil is dry. The tines will not be able to penetrate deeply when the soil is dry. The grass should be dry so that you can walk on the lawn safely without losing traction, but the soil should be moist and soft. Deeper aeration may be achieved by making sure that the tiller is not riding on the free-rotating wheel(s). Note that the length of the soil cores is usually much less than the hole depth because the soil is compressed during the core removal process.

Refer to your tiller manual for information about operation on slopes. Although the Aeroller™ typically makes your tiller more stable by lowering the center of gravity, you should not operate it on slopes where you may lose stability, slip, or fall.

6 MAINTENANCE

Remove the soil cores from the tines and apply a thin coat of oil (WD-40 or equivalent) on the tines after each use to prevent corrosion. Corrosion on the inside surfaces of the tines may impede core removal.

Through the normal use, the black finish on the aerating tines and rollers may deteriorate due to abrasion. In addition, the aerator tines may become dull and require sharpening. The steel tines may be sharpened with a grinding wheel. Due to its hardness, the tines cannot be sharpened with a file.

The following are considered signs of serious damage and are not part of the normal wear and tear process. Stop using the Aeroller™ if any of these occur:

1. Bent or broken bolt
2. Damaged threads
3. Bent or broken aerator tines
4. Any other form of damage that may interfere with the normal function of the Aeroller™.

If in doubt, stop using the product immediately and contact the manufacturer at customer-support@lawn-aerator-attachment.com.

7 STORAGE

The Aeroller™ may be stored in its original packaging. If the Aeroller™ is stored with its aerator tines attached, wrap or cover the sharp edges of the tines with sufficiently thick cloths or towels to prevent personal injury.



The tines are extremely hard and sharp, and the Aeroller™ is very heavy. Severe injury will occur if the Aeroller™ is not stored properly. Never store the Aeroller™ on a high shelf.

8 OPTIONAL ACCESSORIES

Please visit our website <http://www.lawn-aerator-attachment.com> for details on the optional accessories that are available for your Aeroller™ lawn aerator attachment.

LIMITED WARRANTY

Vibrant Yard Company, LLC. will repair or replace for the owner free of charge any part or parts of the Aeroller™ found to be defective for a period of one year from the date of purchase.

DISCLAIMER

Vibrant Yard Company, LLC. is not affiliated with any tiller manufacturer, therefore, cannot guarantee the Aeroller™'s compatibility with any garden tiller. As the compatibility, conditions, and methods of use are beyond our control, Vibrant Yard Company, LLC. does not assume any responsibility for the performance or safety of the Aeroller™. Liability is limited to the purchase price of the Aeroller™ only. Users are responsible for making sure that the Aeroller™ is compatible with the tiller and is used in a safe and responsible manner.