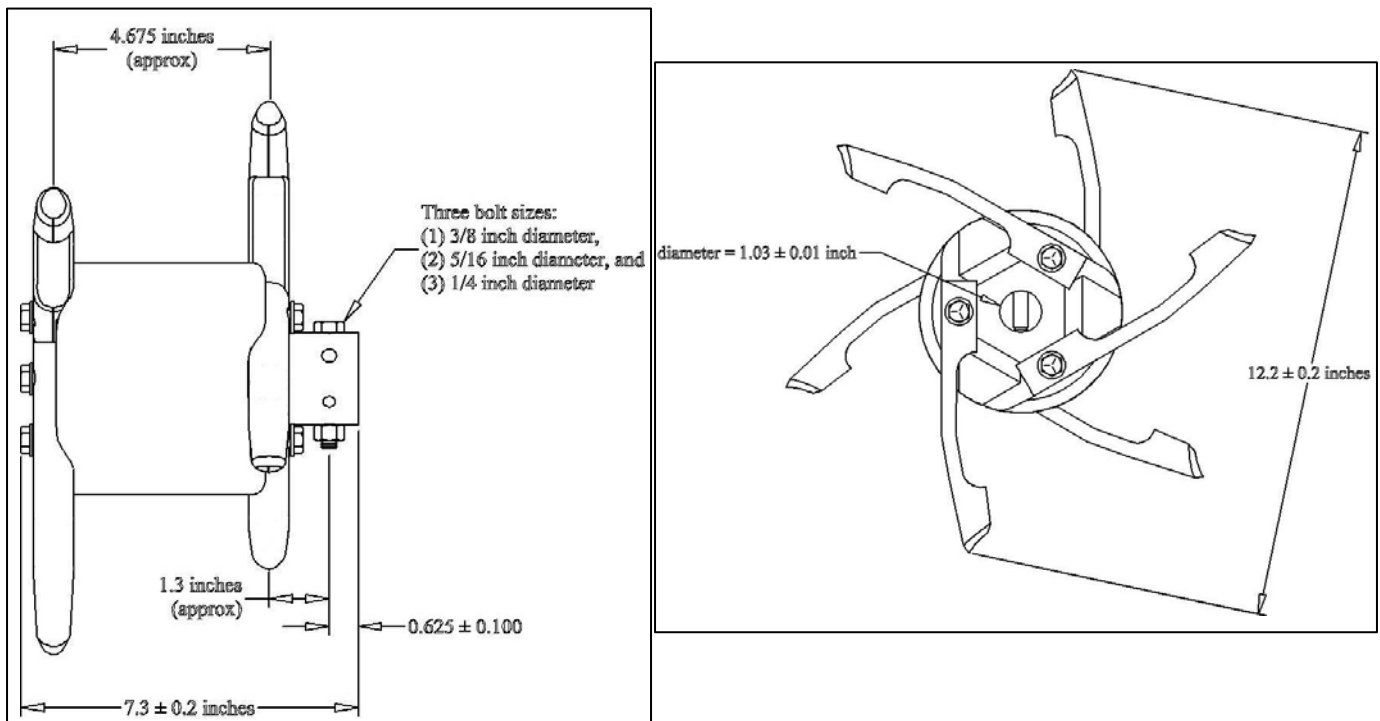


Aeroller Lawn Aerator Attachment Compatibility Checklist

If your tiller model is not mentioned on our website, the following guidelines may help you determine if the Aeroller lawn aerator attachment is compatible with your tiller:

- 1) Upon installation, there must not be any component of the tiller that might interfere with the rotational motion of the Aeroller. See the figures below for the Aeroller dimensions.
- 2) The main rotating shaft of your tiller must be about 1 inch in diameter in order to fit into the Aeroller's 1.03 ± 0.01 inch hole, as shown in the figure below. If the tiller's rotating shaft of your tiller is not 1 inch in diameter, special adapters may be available on our website.
- 3) There must be at least one 1/4 inch, 5/16 inch, or 3/8 inch hole on each side of the tiller's rotating shaft to accommodate the shear pin/bolt. The Aeroller kit comes with two 3/8 inch diameter bolts and nuts. If needed, 1/4 inch and 5/16 inch diameter bolts and nuts may be purchased at your local hardware stores. The specifications for these bolts and nuts may be found in page 3 of the Aeroller Manual (<http://lawn-aerator-attachment.com/lawnaerationmanual.pdf>).
- 4) Your tiller tine rotation must be controlled by a tine engagement handle (also known as a clutch lever). Your tiller tine should rotate when the handle is depressed and should not rotate when the handle is released. When the attachment is installed onto your tiller, depressing the handle will propel the tiller forward.
- 5) The tine rotational speed must be controllable by engine throttle so that you can adjust to a comfortable and safe walking speed.
- 6) The tine rotational direction must propel the tiller forward, NOT backward. Tillers with counter-rotating tines are NOT compatible with the Aeroller. *Many rear-tine tillers are not compatible with the Aeroller because they have counter-rotating tines.*
- 7) The wheels on the tiller, if any, should be free-rotating (neutral). *Many rear-tine tillers are not compatible with the Aeroller because the wheels are not free-rotating when the tines are engaged.*



Disclaimer: The above guide is provided as a reference only. It should apply to most but may not be to all tillers. Vibrant Yard Company, LLC. does not assume any responsibility for the performance or compatibility of the Aeroller. Liability is limited to the purchase price of the Aeroller only. Users are responsible for making sure that the Aeroller is compatible with their tillers, which may involve conditions beyond those mentioned above, and is used in a safe and responsible manner.